

# TC60(307.2V50Ah)



Rack TC60(S)  
TC60--without SBMS  
TC60(S)-- with SBMS



Module TC10 -- 51.2V50Ah

## Introduce

The TCSN TC series adopts high-safety LFP cells and features an intelligent BMS independently developed by TCSN. It is safe, reliable, and delivers excellent performance and stability, making it suitable for three-phase UPS backup systems.

The UPS series offers excellent compatibility and can be widely used in critical facilities such as data centers, financial institutions, rail transit, educational institutions, medical systems, large industrial and mining enterprises, and power grid systems, meeting the stringent requirements for power backup and power protection across various scenarios.

## Features



### Hassle-free & Long-lasting

Cycle life > 4000 cycles (1C, 80% DOD)  
Design life: 20 years



### Modular design

Simple combination  
Quick installation



### Multiple series and parallel

Ease of capacity expansion  
Supports series and parallel connections



### Integrated functions

Smart balancing good consistency  
Multiple comms options



### Flexible compatibility

Compatible with two-wire  
three-wire systems

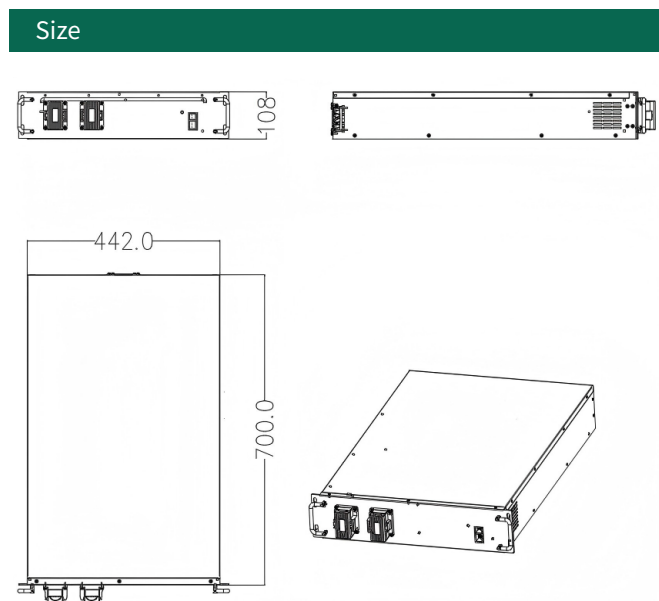


### Visual design

Visual display interface  
Easy maintenance

# Performance

Performance Parameters	
Cell	Square LFP
Capacity(Ah)	50 Ah
Voltage(V)	307.2 V
Energy(Wh)	15.36 kWh
Rated Charge Current	25 A
Max. Charge Current	50 A
Rated Charge Voltage	326.4~331.2 V
Charge Cut-off Voltage	345.6 V
Balancing Voltage	>326.4 V
Max Output Power	68.4 KW
Standard Discharge Time	60 KW@15min
Rated Discharge Cut-off Voltage	268.8 V
Minimum Discharge Cut-off Voltage	254.4 V
Short-circuit Current	Approx.4000A
General Data	
Terminal	M8
IP Grade	IP21
Self-discharge	<=2%/Month
Cycle Life	4000 times(1C 80% DOD)
Weight	340 Kg
Dimensions	1000*600*1500 mm
Storage Temperature	-5°C to 35°C
Discharge Temperature	-20°C to 65°C
Charge Temperature	0°C to 45°C



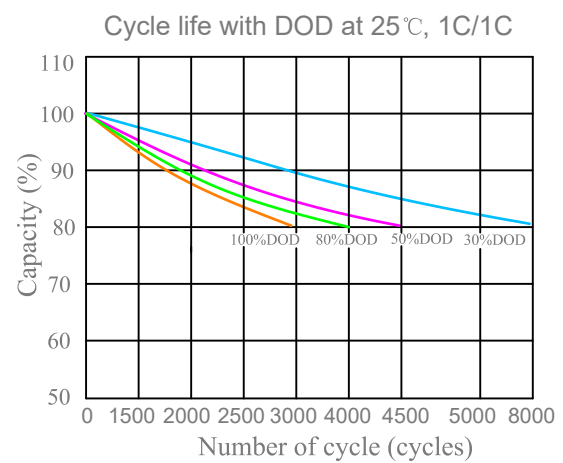
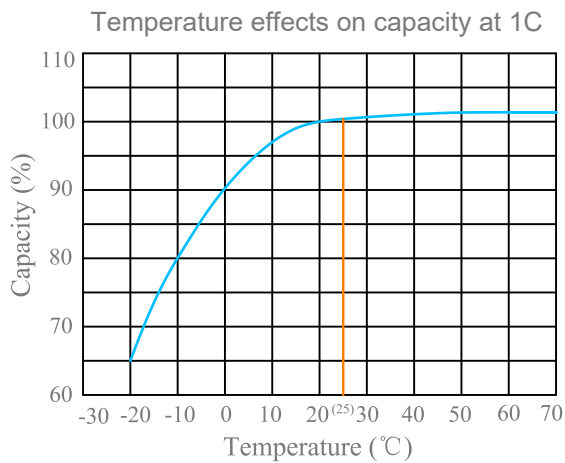
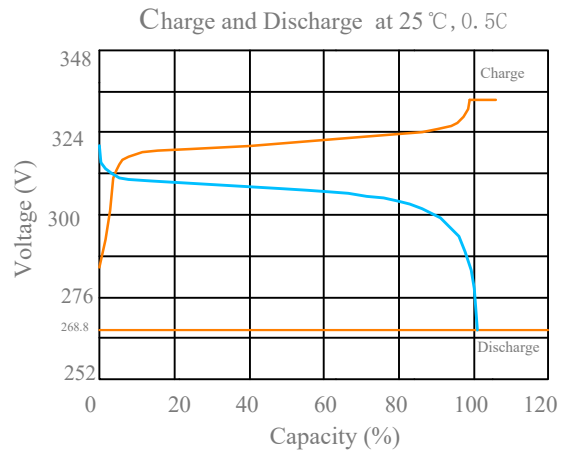
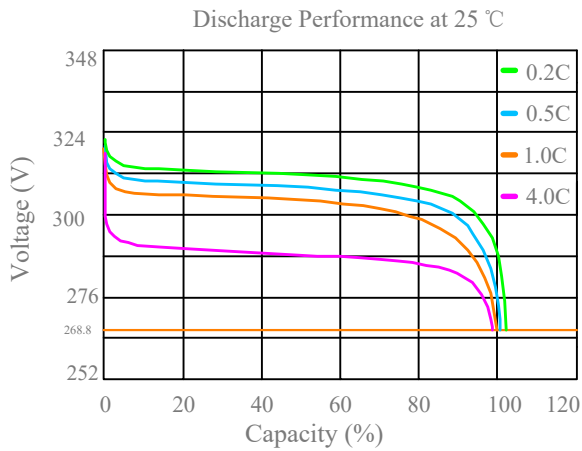
**Compliance**

Certifications	UN38.3/IEC62619(cell)
Transport Appraisal	UN3480,CLASS 9

**Performance Data**

Time(min)	10	15	30	45	60
Constant Power(kw)	68.4	60	30.2	20.2	15.2
Constant Current(A)	245	200	100	66.65	50

# Characteristics Curve



## Cautions

1. Do NOT short circuit, crush or disassemble.
2. Do NOT heat or incinerate.
3. Do NOT immerse in any liquid.
4. Store at 50% capacity. Recharge every 6 months. The storage area should be clean, cool, dry and ventilated.
5. Disconnect charging source prior to connecting or disconnecting battery terminals.
6. Do NOT dispose of batteries in a fire as they can explode.
7. Do NOT open, alter, or mutilate batteries. Released electrolyte is harmful to skin and eyes. It may be toxic.
8. Do NOT mix different types and brands of lithium-ion batteries.
9. Do NOT dispose in trash, follow local regulations and manufacturer's instruction.
10. See installation instructions before connecting to the supply.
11. The battery cabinet receives power from more than one source. Disconnection of all DC sources is required to De-energize this unit before installing or servicing. Wait 5 minutes before opening the unit.
12. Do NOT install on or over combustible surfaces.
13. Refer to manual before servicing.
14. Do NOT touch bare terminals.